

# THE DALEK

**BUILD  
THE ICONIC  
BBC**



**MONSTER**



**THE WAR  
DOCTOR!**



**STEP-BY-STEP  
INSTRUCTIONS**

Published  
weekly • £11.99  
AUS • \$23.99

78 >



9 772977 557054

# DALEK

## ISSUE 78



### ADVENTURES IN TIME AND SPACE: DEVIL'S PLANET

3

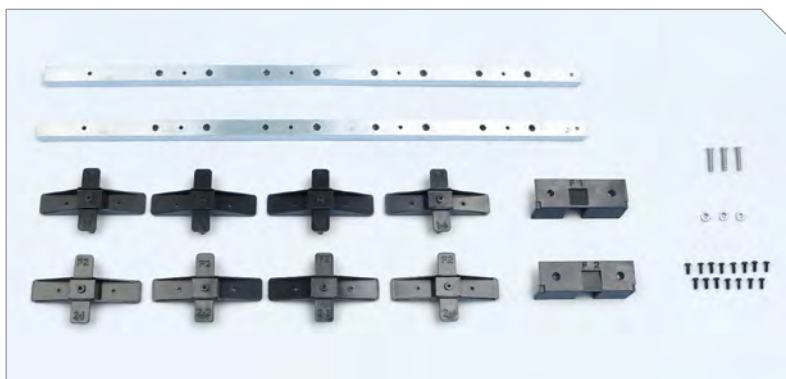
The Doctor is determined to warn the Earth of the Dalek threat.



### THE TIME VORTEX: THE WAR DOCTOR VS THE DALEKS - 2

6

The War Doctor's battle with the Daleks is a life-long endeavour.



### STEP-BY-STEP BUILD: PART 78

8

Skirt fixings, side supports, joints and the required nuts and bolts.

## Reader Services

CUSTOMER SERVICE IN THE UK  
AND REPUBLIC OF IRELAND

### How to continue your collection:

Subscribe online at [hachettepartworks.com/Dalek](http://hachettepartworks.com/Dalek) or contact the Customer Service team via [hachettepartworks.com/contact](http://hachettepartworks.com/contact)

### Customer service & back orders:

Please visit [hachettepartworks.com/contact](http://hachettepartworks.com/contact) to get in touch.

UK call 0345 155 9277

ROI call (01) 9079762

(Calls are charged at your local rate from a landline)

Published by Hachette Partworks Ltd  
4th Floor, Jordan House, 47 Brunswick Place, London N1 6EB

General Manager – Isabelle Couderc  
Editorial Director – Helen Nally  
Marketing Director – Elise Windmill  
Production Director – Sema Sant Anna  
Managing Editor – Sarah Gale  
Distribution Manager – Paul Smith  
Product Manager – Rhys Myner

Packaged by Panini Publishing, a division of Panini UK Limited.

Publishing Director Europe – Marco M. Lupoi  
Managing Director – Chris Clover  
Managing Editor – Alan O'Keefe  
Senior Editor – Karen O'Brien  
Editor – John Ainsworth  
Designer – Barry Spiers  
Features Writer – Stuart Ashley

Distributed in the UK and Republic of Ireland by Marketforce.

© 2026 Hachette Partworks Ltd

Printed in the UK.

ISSN 2977-5574

ALL RIGHTS RESERVED

The editor's policy is to use papers that are natural, renewable and recyclable products and made from wood grown in sustainable forests. The logging and manufacturing processes are expected to conform to the environmental regulations of the country of origin.

In the event of a significant increase in production and transport costs, the publisher reserves the right to modify its selling prices.

BBC, DOCTOR WHO, TARDIS and DALEK (word marks and devices) are trade marks of the British Broadcasting Corporation and are used under licence. BBC logo © BBC 1996. DOCTOR WHO logo © BBC 1973. Dalek image © BBC/Terry Nation 1963. Licensed by BBC Studios.

The device complies with Part 15 of the FCC Rules. Operation is subject to the following two conditions: (1) this device may not cause harmful interference, and (2) this device must accept any interference received, including interference that may cause undesired operation.

All parts belong to a kit. NOT SUITABLE FOR CHILDREN UNDER THE AGE OF 14. This product is not a toy and is not intended for use in play. Follow the instructions in the enclosed magazines carefully and keep the appropriate information in a safe place. The installation of the electrical and electronic parts must always be carried out by an adult. Requires batteries.

BBC



For our environmental policy in full please scan the QR code here.

hachette  
PARTWORKS LTD

# DEVIL'S PLANET

The Doctor and his friends are forced to land on a dangerous penal colony world.

Season 3 Episode 12  
First Broadcast:  
27 November 1965

**B**ret Vyon charges the *Spar's* engines. "We've got to go!" he says. Steven tries to stop him from taking off and leaving the Doctor behind. Bret throws Steven aside and activates the flight controls. "We're going without him!" he says. But the launch is paused because the outer door has not been properly closed. The Doctor appears, and the *Spar* takes off from Kembel.

The Daleks observe the *Spar's* escape on their sensors. "Cut in automatic trackers," the Dalek Supreme says. "All is ready for their space extinction," a Dalek replies. "That vessel must not be destroyed," the Dalek Supreme commands. "The intruders must be caught alive!" The Daleks are ordered to prepare the Neutronic Randomiser.

The Doctor shows Bret, Steven, and Katarina the taranium core. "The Daleks' plans are utterly useless without this," he says. The Doctor explains that the Daleks have allied themselves with Mavic Chen and the rulers of the Outer Galaxies. They must return to Earth to warn the authorities. Bret can barely believe that Chen is working with the Daleks, but the Doctor insists that it is true. "By sacrificing the Solar System, he hopes to gain more power," he says.

The Doctor cautions Steven not to open the taranium container. "It would burn your eyes, you would go totally blind." The Doctor explains that the Daleks intend it to power "the most evil weapon ever devised: their Time Destructor!"



without the Daleks' Time Destructor. The accusations go back and forth, but in the end the Dalek Supreme still blames Zephon. "It is agreed that you are guilty of negligence," it says. When Zephon tries to leave, he is shot and killed.

The Daleks check the location of the *Spar* – it is heading in a direction that will bring it close to the planet Desperus. Pursuit ships are prepared. "Stand by, Randomiser," the Dalek Supreme orders.

The Doctor, Steven, Bret, and Katarina all don visors to protect their eyes. The Doctor opens the container, and they observe the glowing core. "That is taranium," the Doctor says. "The rarest mineral in the universe." Steven comments that even with the visor, his eyes feel strange after looking at it. The Doctor tells him not to complain: "Do you realise that very few people have seen this in this universe?"

The Doctor plays the audio tape he found in the jungle on Kemble. It was recorded by Space Security agent Marc Cory. "The Daleks are planning the complete destruction of our galaxy," Cory says. He is cut off before he can say more. "Poor Marc," Bret says. "He never got through."

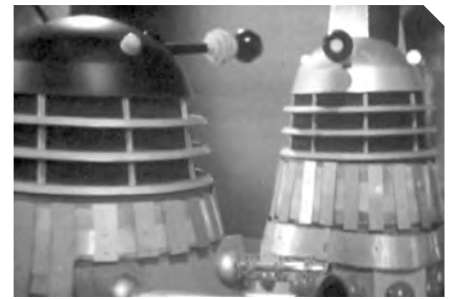
The Daleks activate their Randomiser. The *Spar* is suddenly thrown off course and pushed into the gravitational pull of Desperus. Bret tells the Doctor and Steven that Desperus is a penal planet, but it has no guards or wardens. "If we crash there, we'll be left there to rot the rest of our lives away!" he says. The *Spar* plunges towards Desperus, completely out of Bret's control.



The Daleks take control of the *Spar* and ensure it makes a soft landing on Desperus. Mavic Chen compliments the Daleks on their technology. The Dalek Supreme is still suspicious of Chen and notes that it was Chen's ship that the thieves stole. "Perhaps they were indeed creatures from Earth," it says. Chen brushes aside the Dalek Supreme's comment and announces that he is returning to Earth. "If I find that the intruders do come from there, they will be dealt with quickly and without arousing any suspicion," he states.

The Doctor realises that they have not escaped the Daleks, and the *Spar* is under their control. "It means they're coming after us again," he says.

On Kemble, Mavic Chen, Zephon, and the Dalek Supreme all blame each other for the theft of the taranium core. "Had the Daleks made full security arrangements, the invaders would not have breached this city!" Zephon states. He points out that the thieves must have come from the Solar System because nobody else knew what Chen was bringing to the meeting. Chen denies any knowledge of the thieves. "Perhaps you wanted to use the core for yourself!" Zephon says. Chen points out that the core is useless



## DALLAS CAVELL



Dallas Cavell played Bors. He had previously appeared in *Doctor Who* as the bullying Roadworks Overseer in *The Reign of Terror*, where he received a comedic comeuppance from the Doctor. He went on to play Captain Jebb Trask in *The Highlanders*, Quinlan in *The Ambassadors of Death*, and the Head of Security in *Castrovalva*. Cavell also appeared in other TV series, including *Z Cars*, *Dixon of Dock Green*, and *The Pickwick Papers*.

## DOUGLAS SHELDON

Douglas Sheldon played Kirksen. He was raised in a family of carnival workers and worked as a carnival barker while training to be an actor. In 1961, he had a small role in *The Guns of Navarone* while sharing a London flat with two other young actors: Sean Connery and Michael Caine. Sheldon became a recording artist for several years but returned to acting in the mid-1960s. He appeared in many films, including *Ryan's Daughter*, *The Yellow Teddy Bears*, and *Some Girls Do*.





On Desperus, three bearded men dressed in rough clothing – Bors, Garge and Kirksen – sit in a cave. They watch each other in what seems to be a tense ritual. Bors stabs a knife into a table. Kirksen tries to take it, but Garge grabs his hand and tries to seize the knife. Bors pushes him aside and reclaims it. “It’s mine again,” he says, “And they stay where they are.” He points to two frightened women sitting in a corner. He orders Garge to go outside and stand watch. Garge reluctantly takes a primitive weapon and leaves.

Time passes, and the small group falls asleep. Kirksen creeps toward Bors and reaches for the knife. Bors grabs his arm and orders him to build up the fire. Garge



re-enters the cave and reports that a new ship is landing. “I haven’t seen one like it before,” Garge says. Kirksen becomes excited. “We can kill the crew and take over!” he cries out. “We can use it to get away!” The three convicts head off towards the *Spar*.

Katarina pauses at the *Spar*’s doorway and looks out at the jungle. It is filled with the eerie sounds of screeching wildlife. Bret, Steven and the Doctor attempt to repair the ship, but the Doctor annoys Bret by dismissing the *Spar* as “out of date”. “This is the *Spar*, the most technically perfect craft in the history of space travel!” he says. The Doctor admonishes Katarina for opening the door. He spies three flaming torches heading their way and notes the marshy ground.

On Kembel, the Daleks have located the *Spar*’s exact position. They relay the information to the Dalek pursuit ships. “When the taranium is recovered, the fugitives are to be eliminated,” the Dalek Supreme says.

Bors, Garge and Kirksen approach the *Spar*. Kirksen is attacked by a flying creature the men call a “Screamer”. Bors and Garge leave him.

The Doctor tells Katarina to help him with a cable. He throws one end into the swamp outside. “That should repel any boarders,” he says, chuckling. Bors and Garge reach the ladder to the *Spar*’s airlock but when they touch it, they receive an electric shock from the Doctor’s cable. The Doctor’s satisfaction is cut short, however, by the arrival of the



Daleks’ pursuit ships. Bret prepares to take off but the Doctor has forgotten to close the outer door. Bret closes it with the main controls and takes off.

The *Spar* soars away. “Look! Look!” the Doctor yells. “The Dalek ships have made a bad landing! That gives us the time we need!” The Doctor laughs, and everyone relaxes. “Next stop, Earth!” Bret says.

The Doctor tells Katarina to check on the airlock door. Katarina walks to it but it suddenly slides open and she is grabbed by Kirksen. She screams...



## URGENT MESSAGE



The recording of Marc Cory that the Doctor, Bret, and Steven listen to was not performed by the original actor, Edward de Souza, as seen in *Mission to the Unknown*. Cory’s voice in this version came from Peter Hawkins, who was also providing the Dalek voices for the story. The wording was also slightly different from the original version.

## GEOFFREY CHESHIRE



Geoffrey Cheshire played Garge. He had made two earlier appearances in *Doctor Who*: as the Viking Leader in *The Time Meddler*, and as a Roboman in the *Doctor Who* movie *Daleks – Invasion Earth 2150 AD*.

Cheshire also appeared in the TV series *The Saint* and the James Bond film *On Her Majesty’s Secret Service*.



# THE WAR DOCTOR VS THE DALEKS - 2

**T**he War Doctor dedicated his life to defeating the Daleks and bringing an end to the Last Great Time War.

## THE KEEPER OF LIGHT

(audio) by **Phil Mulryne**

The War Doctor and his companion Layla track a psionic signal to a lighthouse. A couple, named David and Dorothy, are staying nearby at a remote coastal cottage and become entangled in the mystery.

## TEMMOSUS

(audio) by **Rossa McPhillips**

A group of Thals hijack the *Temossus*, a spaceship built as a secret weapon to be used against the Daleks. The War Doctor tries to convince the Thals to turn back from their destination, Skaro.

## REWIND

(audio) by **Timothy X Atack**

The planet Lacuna is under attack by a new and terrifying breed of Dalek, the Berserkers. The world is trapped in a time loop, constantly repeating the day of its total destruction.

## THE MISSION

(audio) by **Robert Valentine**

The War Doctor is sent on a dangerous mission to assassinate a renegade Time Lord known as the Barber-Surgeon, who is waging his own ruthless private war against the Daleks.

## THE ABYSS

(audio) by **Robert Valentine**

The search for the Barber-Surgeon takes the War Doctor on a perilous trail through his own personal history. His quarry seems able to anticipate his every move.

## THE HORROR

(audio) by **Robert Valentine**

Gallifrey and Skaro face destruction. With the War Doctor missing in action, Time Lord and Dalek forces attempt to attack the junkyard fortress of the Barber-Surgeon in a lost dimension.

## A MOTHER'S LOVE

(audio) by **Noga Flaishon**

The War Doctor responds to a distress call and arrives on Haven, a highly advanced Time Lord field hospital. He is reunited with Veklin and Case.

## BERSERKER

(audio) by **Timothy X Atack**

The War Doctor and Case travel to





Sunspire, a world ravaged by the Daleks centuries ago. They discover a Berserker Dalek has been trapped there for 400 years and is now completely insane.

### MEMNOS

(audio) by **Phil Mulryne**

Memnos is a secret Time Lord project that records everything that has been erased by the Time War. The War Doctor and the Dalek Time Strategist clash in a battle for Case's soul.

### THE HYBRID'S CHOICE

(audio) by **Ajjaz Awad-Ibrahim**

The War Doctor believes Case is dead, but she has been recruited to the Dalek

cause. The Dalek Time Strategist seeks a way to make her allegiance permanent.

### FEAR NOTHING

(audio) by **Mark Wright**

Commodore Tamasan summons the War Doctor to a remote TARDIS drydock facility at the edge of the Time War. Case is unleashed by the Daleks and sent to eliminate a key Time Lord asset.

### EXIT STRATEGY

(audio) by **Matt Fitton**

The Dalek Time Strategist takes Case to a secret facility for readjustment. The War Doctor encounters the Eighth Doctor as he struggles to save Case.

### MORBIUS THE MIGHTY

(audio) by **Tim Foley**

The War Doctor finds himself out of the action, living quietly on the forest world of Lull. But beneath the planet's surface, his old enemy Morbius is plotting a deadly revenge.

### UNKNOWN SOLDIERS

(audio) by **Timothy X Atack**

As the Time War rages, a crew of outcasts forms a desperate pact to end the conflict by killing a legendary warrior. The assassination at a precise point in history will create a chain reaction that could save the entire universe.

### FALLEN HEROES

(audio) by **Alfie Shaw**

A murder has been committed in the town of Oakview on the planet Falk. Galactic Investigations Bureau agents Wyatt Smith and Louisa Tickson are sent to investigate, beginning a tense search for the Clock Face Killer.

### THE LAST OF THE KALEDS

(audio) by **David Llewellyn**

Reunited with his granddaughter, Susan, the War Doctor finds a society of Kaleds has survived in a hidden pocket universe.

### THE VOORD ALLIANCE

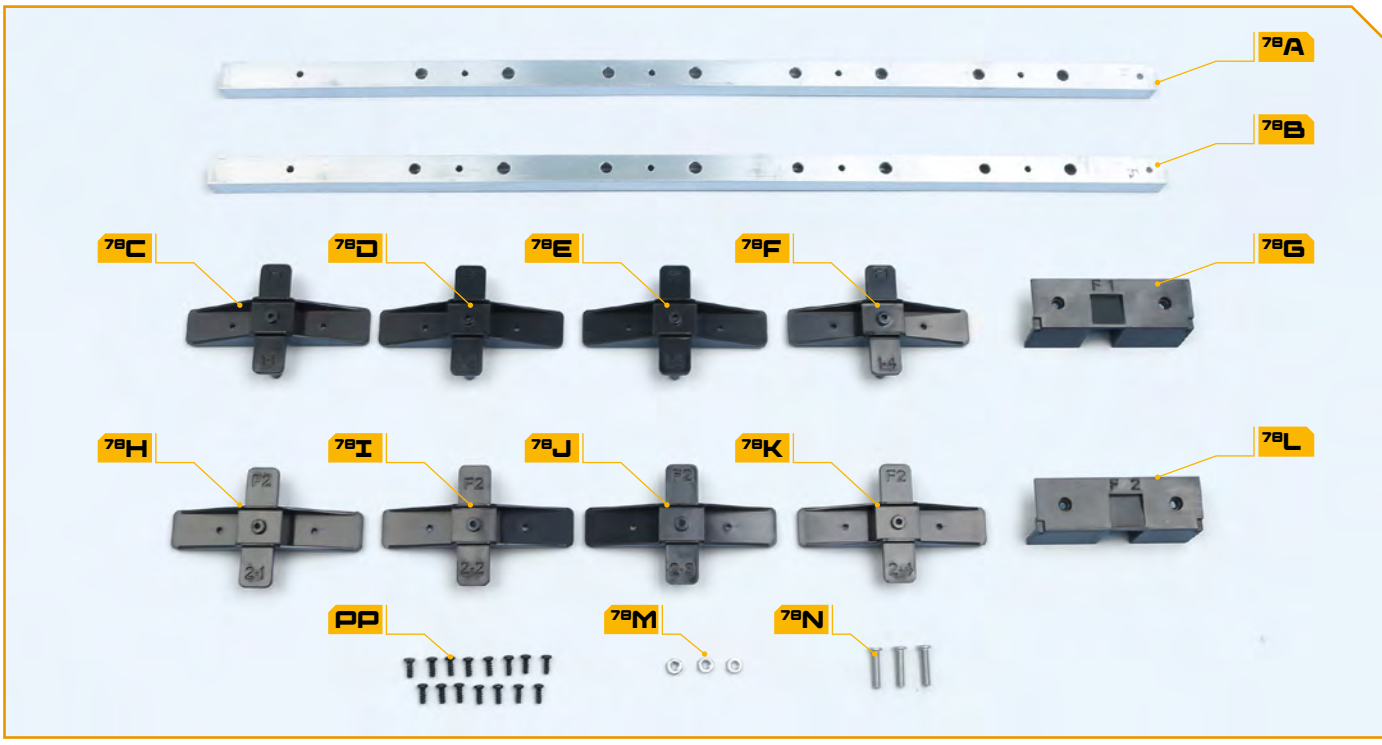
(audio) by **Andrew Smith**

The Doctor and Susan form an uneasy alliance with the Voord on a world where a Dalek time weapon has disastrously malfunctioned, threatening catastrophe.



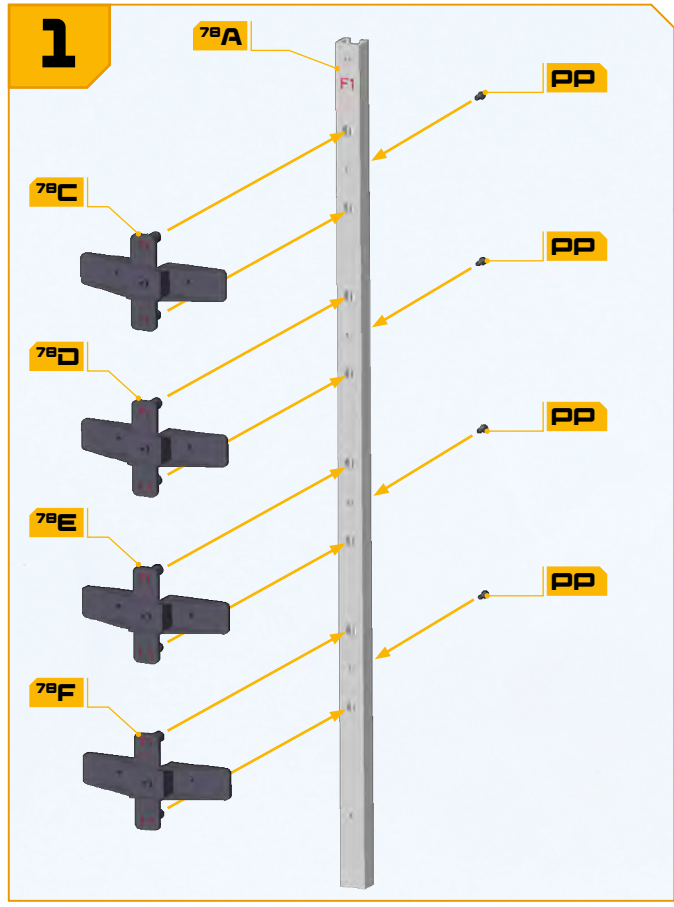
# BASE SECTION

## INTERNAL SUPPORT STRUCTURE

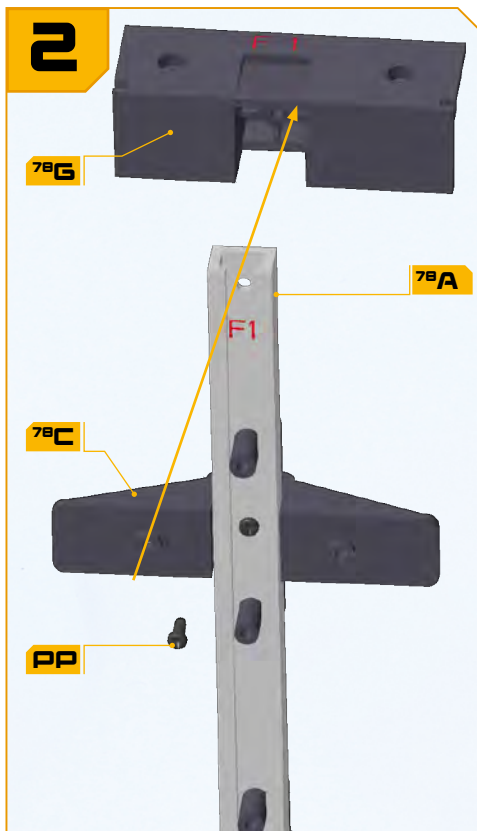


### COMPONENTS OF ISSUE 78

- 78A** SIDE SUPPORT (labelled F1)
- 78B** SIDE SUPPORT (labelled F2)
- 78C** SKIRT FIXING PART (labelled F1/1-1)
- 78D** SKIRT FIXING PART (labelled F1/1-2)
- 78E** SKIRT FIXING PART (labelled F1/1-3)
- 78F** SKIRT FIXING PART (labelled F1/1-4)
- 78G** SIDE SUPPORT TOP JOINT (labelled F1)
- 78H** SKIRT FIXING PART (labelled F2/2-1)
- 78I** SKIRT FIXING PART (labelled F2/2-2)
- 78J** SKIRT FIXING PART (labelled F2/2-3)
- 78K** SKIRT FIXING PART (labelled F2/2-4)
- 78L** SIDE SUPPORT TOP JOINT (labelled F2)
- 78M** NUTS (x 3, 1 spare)
- 78N** BOLTS (x 3, 1 spare)
- PP** FIFTEEN 2.6 X 6MM PB SCREWS (1 spare)

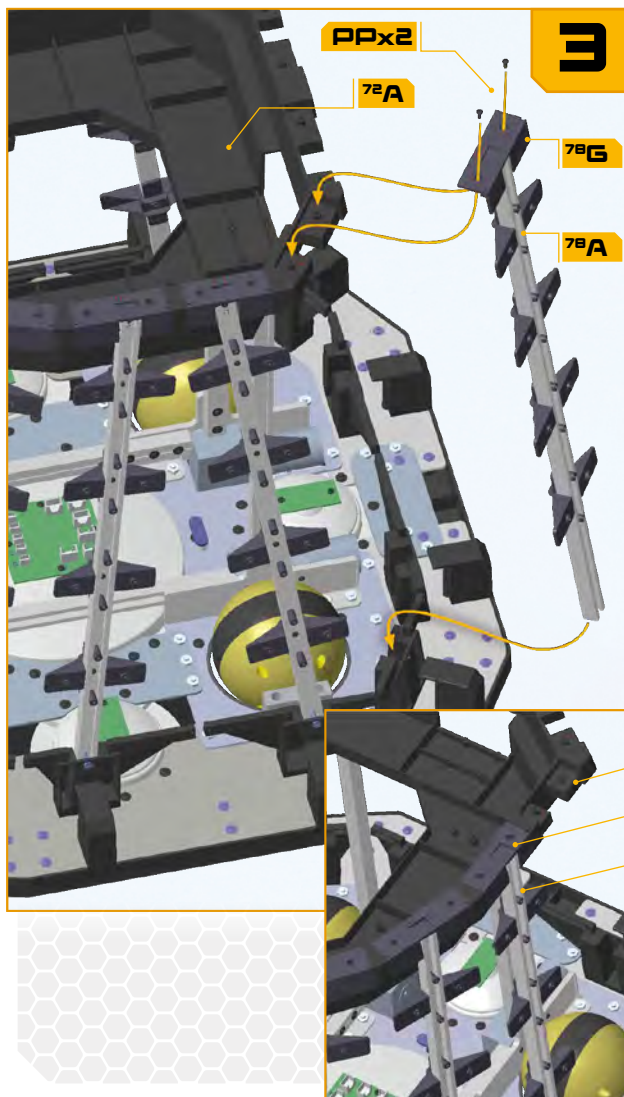


**#78-01**  
 Take the side support **78A** (marked F1) and the skirt fixing parts **78C**, **78D**, **78E** and **78F**. Position them as shown, so that the raised screw holes on the skirt fixing parts fit into the large holes in part **78A**. Note that the label F1 on part **78A** is at the top. Fix each fixing part in place from the back of the side support **78A** with a **PP** screw.



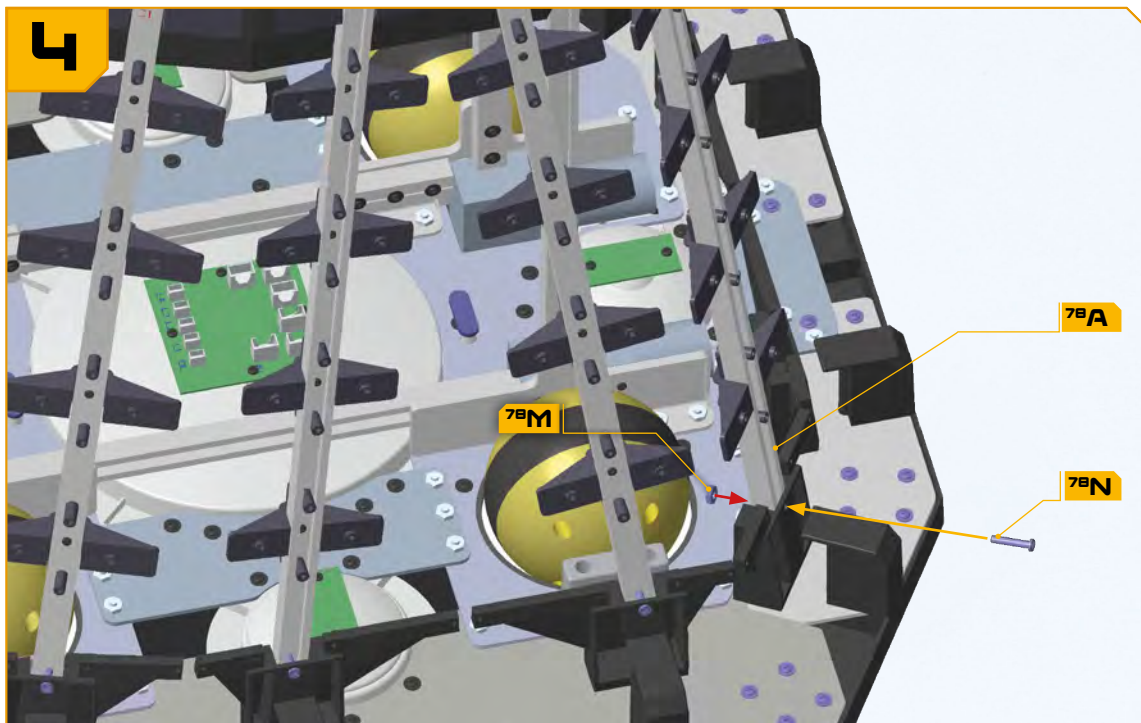
#### #77-02

Take the side support top joint (labelled F1) **78G** and fit the top of part **78A** into the recess so that screw holes are aligned. Note the orientation of the parts with the channel in part **78A** and the raised screw sockets in parts **78C** facing forwards. Fix in place with a **PP** screw.



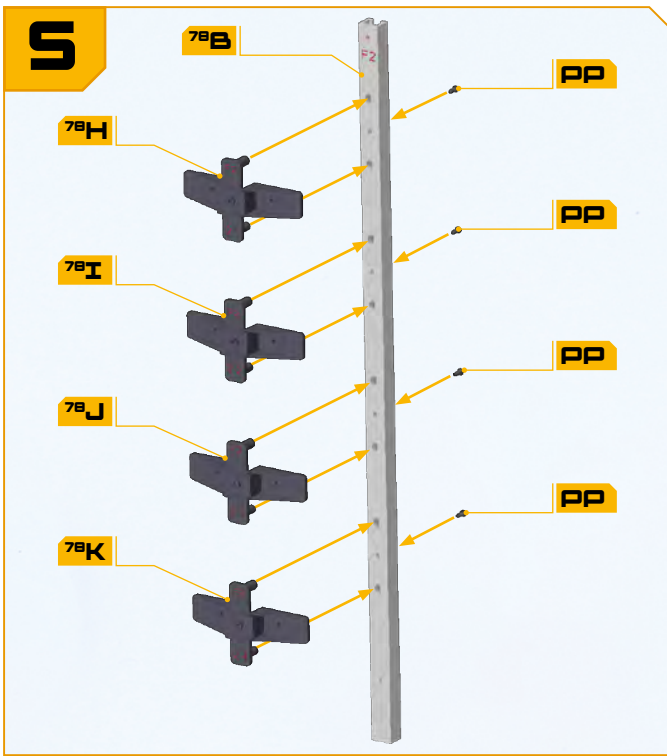
#### #78-03

Fit the base of the side support **78A** into the channel in the skirt support at the rear left corner of the model. Fit the top joint **78G** into the corresponding shape marked F1 in the side of the chest support **72A**. Fix in place with two **PP** screws (inset).

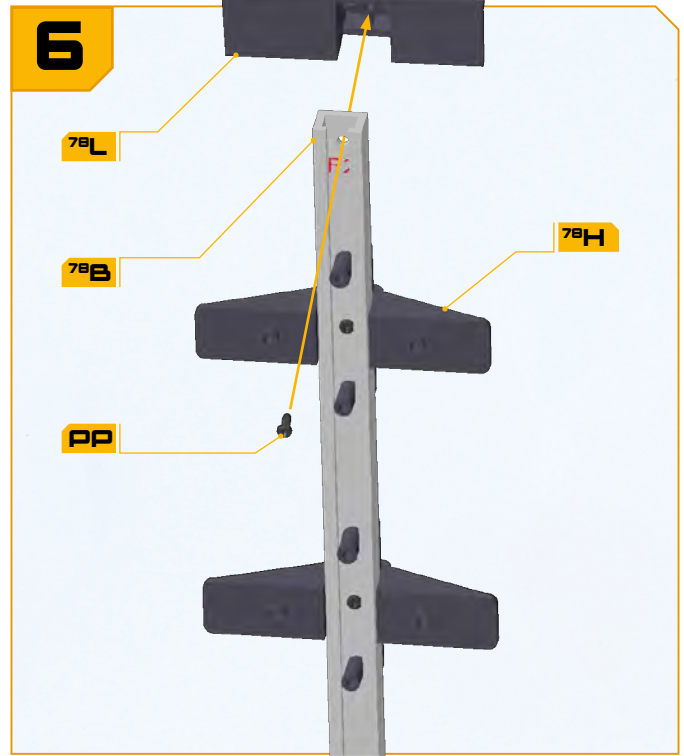


#### #78-04

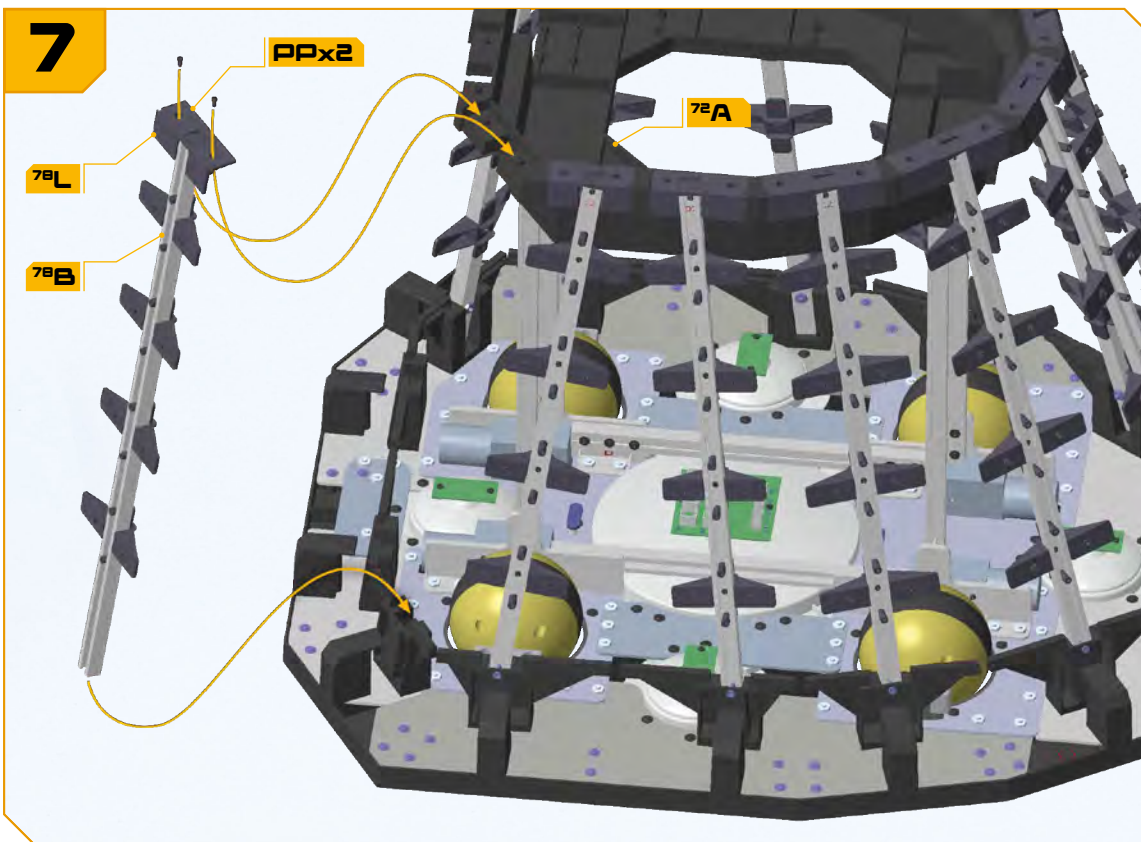
Fit a bolt **78N** through the screw holes in the skirt holder and part **78A** (yellow arrow). Fit a nut **78M** on the end of the bolt to hold it in place (red arrow). Use the spanner **38F** to help tighten the nut if necessary.



**#77-05**  
 Take the side support **78B** (marked F2) and the skirt fixing parts **78H**, **78I**, **78J** and **78K**. Position them as shown, so that the raised screw holes on the skirt fixing parts fit into the large holes in part **78B**. Fix each fixing part in place from the back of the side support **78B** with a **PP** screw.



**#77-06**  
 Take the side support top joint (labelled F2) **78L** and fit the top of part **78B** into the recess so that screw holes are aligned. Note the orientation of the parts with the channel in part **78B** and the raised screw sockets in parts **78H** facing forwards. Fix in place with a **PP** screw.

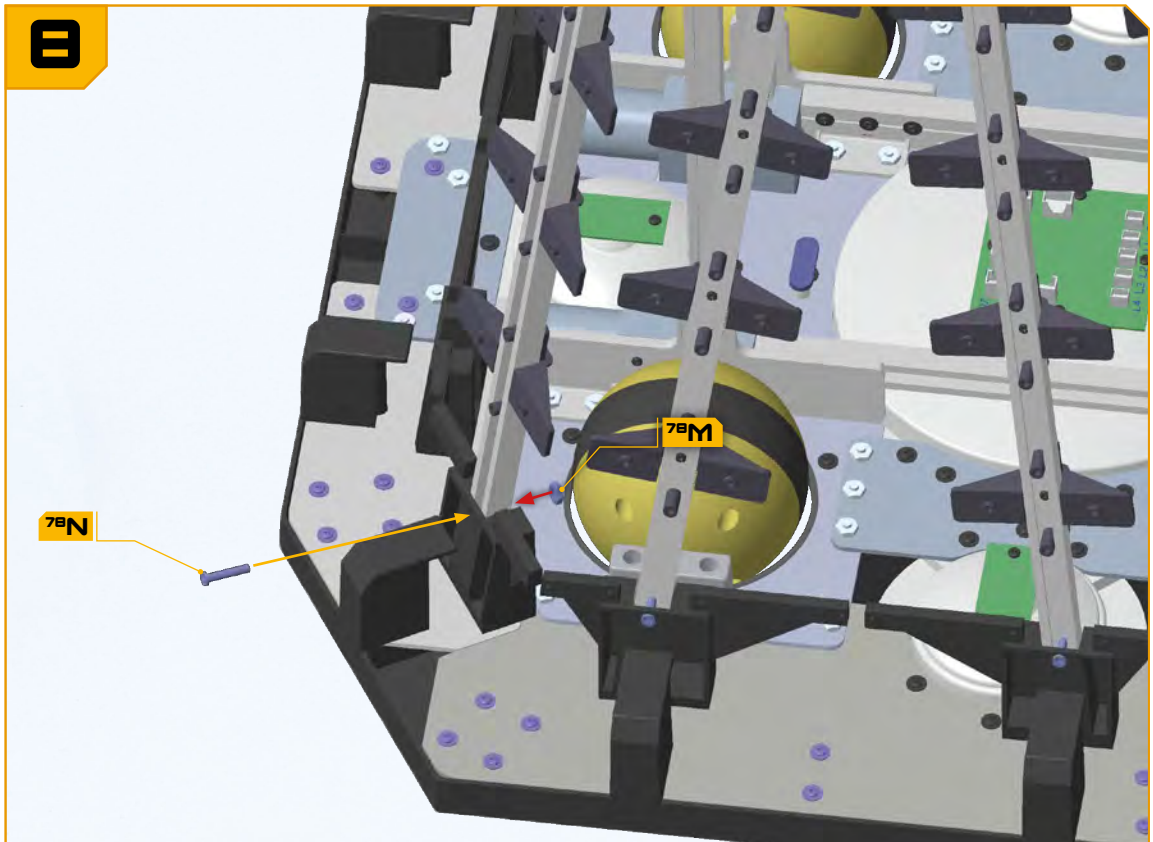


**#78-07**  
 Fit the base of the side support **78B** into the channel on the inner side of the skirt support at the rear right corner of the assembly. Fit the top joint **78L** into the corresponding shape in the side of the chest support **72A**, which is marked F2. Fix in place with two **PP** screws.

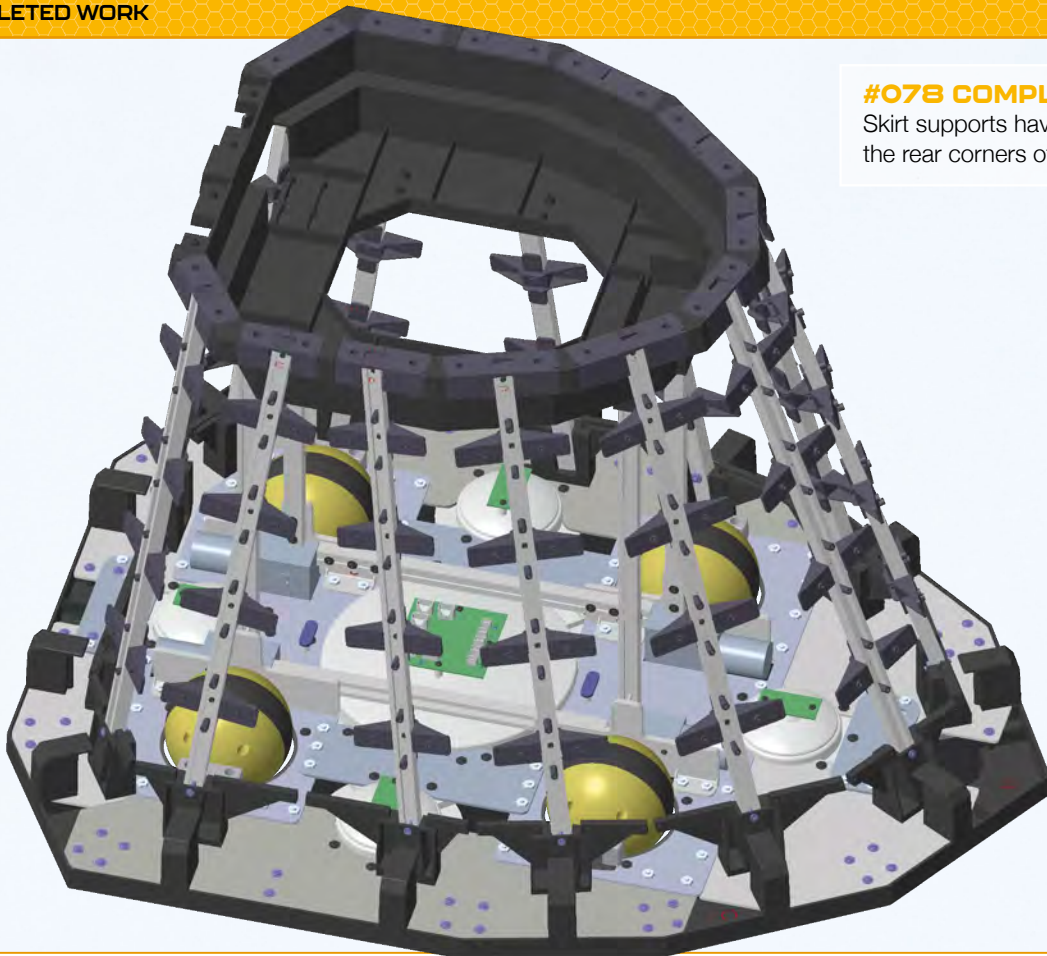
### #78-08

Fit a bolt **78N** through the screw holes in the skirt support and part **78B** (yellow arrow).

Fit a nut **78M** on the end of the bolt to hold it in place (red arrow). Use the spanner **38F** to help tighten the nut if necessary.



### COMPLETED WORK



### #078 COMPLETED WORK

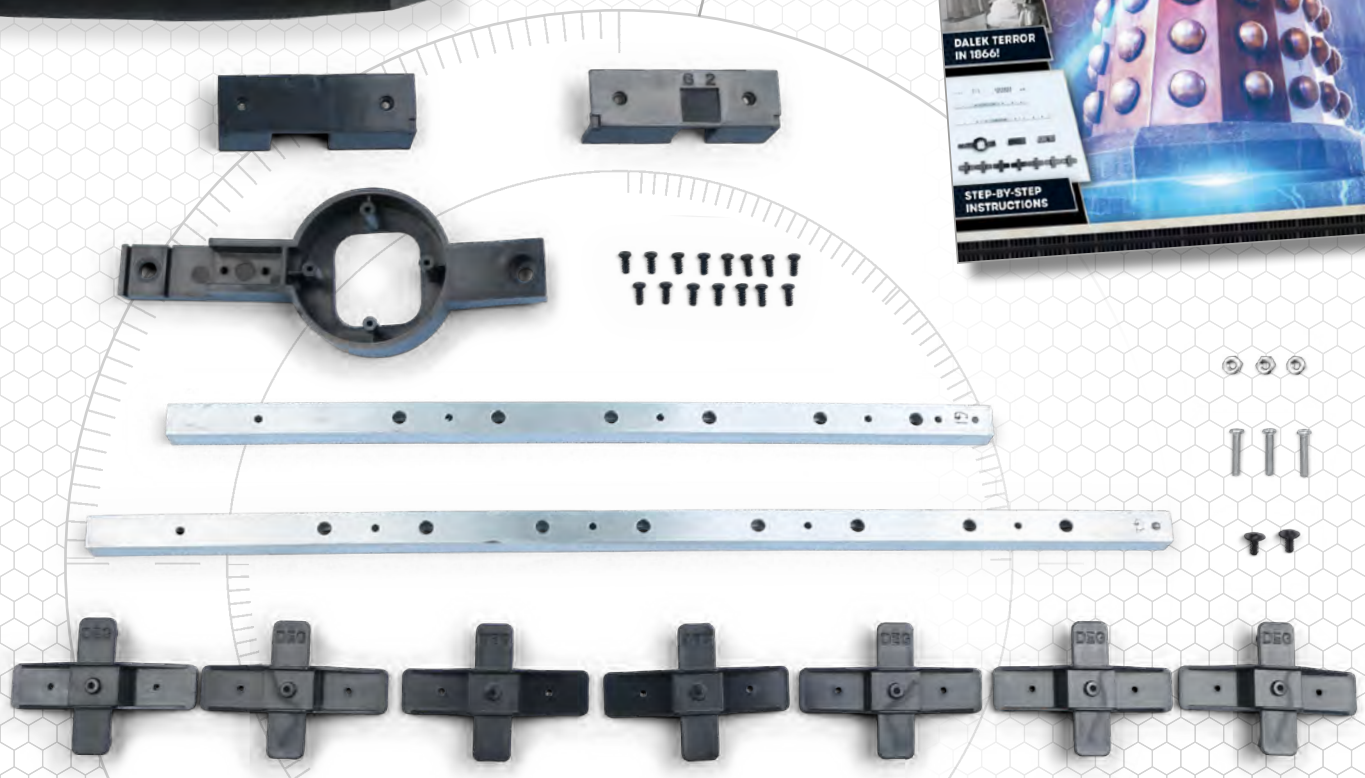
Skirt supports have been fitted at the rear corners of your model.

# THE DALEK

COMING IN  
ISSUE 79

## BUILD PART 79

Continuing the internal support structure in the base, issue 79 includes further side supports, joints, skirt fixings and a circuit board switch holder.



### THE TIME VORTEX



Once again a prisoner of his own Dalek creations, Davros is determined to rectify the mistakes of the past.

### ADVENTURES IN TIME AND SPACE



Jamie and Kemel must rescue Victoria, unaware that they are part of a test set by the Daleks in *The Evil of the Daleks - Part 4*.

Every week at your newsagent! Visit [hachettepartworks.com/Dalek](http://hachettepartworks.com/Dalek)